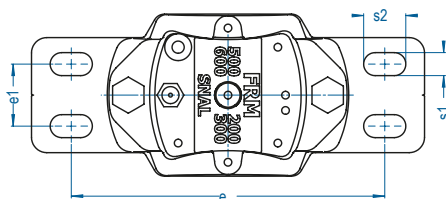


# (F) SNAL (MS1 | MS2)

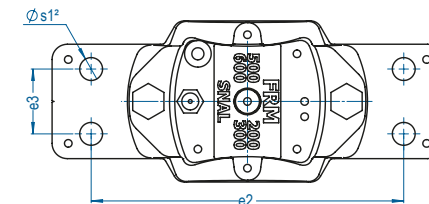
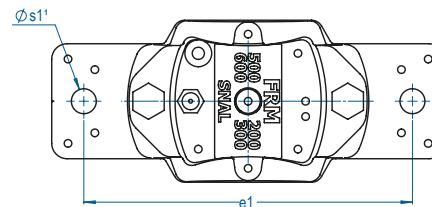
dimensional para furações opcionais

Dimensional para furações da caixa FSNAL



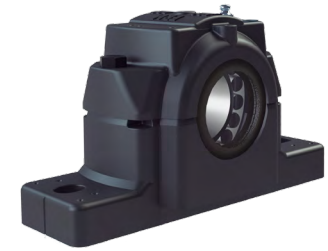
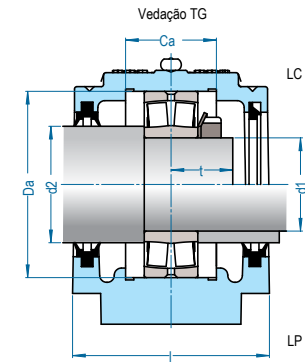
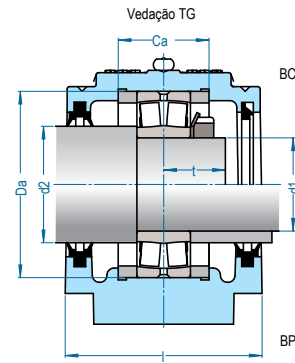
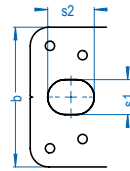
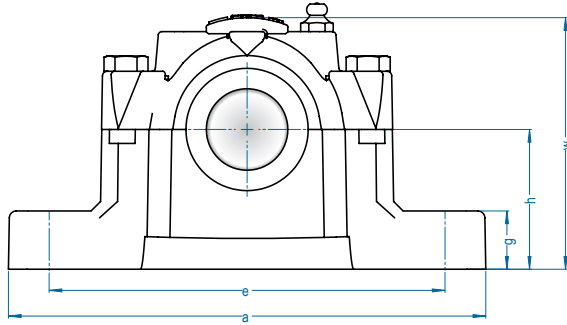
Caixa				e	e1	s1	s2	Paraf.
FSNAL 511	FSNAL 211	FSNAL 609	FSNAL 309	210	35	15	20	M12
FSNAL 512	FSNAL 212	FSNAL 610	FSNAL 310	210	35	15	20	M12
FSNAL 513	FSNAL 213	FSNAL 611	FSNAL 311	230	40	15	20	M12
FSNAL 515	FSNAL 215	FSNAL 612	FSNAL 312	230	40	15	20	M12
FSNAL 516	FSNAL 216	FSNAL 613	FSNAL 313	260	50	18	24	M16
FSNAL 517	FSNAL 217		FSNAL 314	260	50	18	24	M16
FSNAL 518	FSNAL 218	FSNAL 615	FSNAL 315	290	50	18	24	M16
FSNAL 519		FSNAL 616	FSNAL 316	290	50	18	24	M16
FSNAL 520	FSNAL 220	FSNAL 617	FSNAL 317	320	60	18	24	M16
FSNAL 522	FSNAL 222	FSNAL 619	FSNAL 319	350	70	18	24	M16
FSNAL 524	FSNAL 224	FSNAL 620	FSNAL 320	350	70	18	24	M16
FSNAL 526	FSNAL 226			380	70	22	28	M20
FSNAL 528	FSNAL 228			420	80	26	32	M24
FSNAL 530	FSNAL 230			450	90	26	32	M24
FSNAL 532	FSNAL 232			470	90	26	32	M24

Dimensional para furações da caixa SNAL MS1 | SNAL MS2



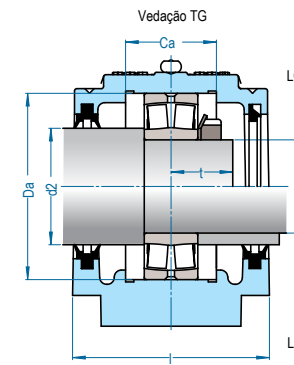
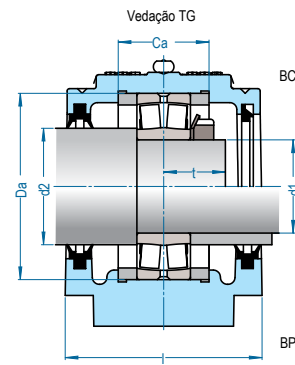
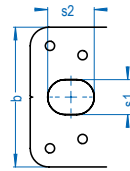
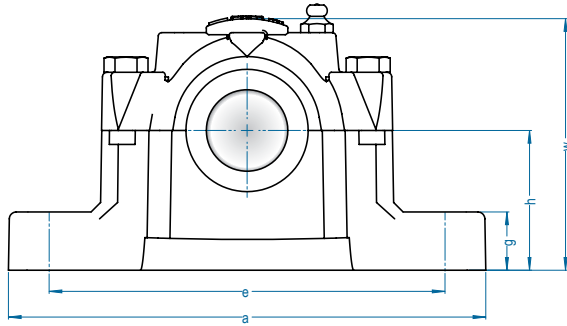
Caixa				MS1			MS2			
				e1	Øs1'	Paraf.	e2	e3	Øs1''	Paraf.
SNAL 505	SNAL 205			-	-	-	114	25	9	M8
SNAL 506	SNAL 206	SNAL 605	SNAL 305	-	-	-	130	29	9	M8
SNAL 507	SNAL 207	SNAL 606	SNAL 306	-	-	-	138	29	9	M8
SNAL 508	SNAL 208	SNAL 607	SNAL 307	170	15	M12	160	34	11	M10
SNAL 509	SNAL 209			170	15	M12	160	34	11	M10
SNAL 510	SNAL 210	SNAL 608	SNAL 308	170	15	M12	160	34	11	M10
SNAL 511	SNAL 211	SNAL 609	SNAL 309	210	18	M16	200	40	14	M12
SNAL 512	SNAL 212	SNAL 610	SNAL 310	210	18	M16	200	40	14	M12
SNAL 513	SNAL 213	SNAL 611	SNAL 311	230	18	M16	220	48	14	M12
SNAL 515	SNAL 215	SNAL 612	SNAL 312	230	18	M16	220	48	14	M12
SNAL 516	SNAL 216	SNAL 613	SNAL 313	260	22	M20	252	52	18	M16
SNAL 517	SNAL 217		SNAL 314	260	22	M20	252	52	18	M16
SNAL 518	SNAL 218	SNAL 615	SNAL 315	290	22	M20	280	58	18	M16
SNAL 519		SNAL 616	SNAL 316	290	22	M20	280	58	18	M16
SNAL 520	SNAL 220	SNAL 617	SNAL 317	320	26	M24	300	66	18	M16
SNAL 522	SNAL 222	SNAL 619	SNAL 319	350	26	M24	320	74	18	M16
SNAL 524	SNAL 224	SNAL 620	SNAL 320	350	26	M24	330	74	18	M16
SNAL 526	SNAL 226			380	28	M24	370	80	22	M20
SNAL 528	SNAL 228			420	35	M30	400	92	26	M24
SNAL 530	SNAL 230			450	35	M30	430	100	26	M24
SNAL 532	SNAL 232			470	35	M30	450	100	26	M24

# SNAL 300



- Vedações: TG, TA, TC e TS.

Eixo Ød1 mm	Caixa	Montagem			Cargas (Kgf)		Limite Rotação RPM	Dimensão nominal (mm)												Paraf.	Peso (Kg)	
		Rolamento	Anel de Bloqueio	Tampa Cega	dinâmica C <sub>r</sub>	estática C <sub>or</sub>		h	a	e	b	s1	s2	g	w	l	Ca	Da	t			d2
25	SNAL 305	1305	2 FRB 7.5/62	AL 507	1900	540	15000	50,0	185	150	52	15	20	22	89	77	32	62	21	30	M12	2,3
		2305	2 FRB 4/62		2700	7100	16000															
		21305	2 FRB 7.5/62		4910	4150	12000															
30	SNAL 306	1306	2 FRB 7.5/72	AL 507	2250	680	13000	50,0	185	150	52	15	20	22	94	83	34	72	22	35	M12	2,6
		2306	2 FRB 3.5/72		3120	880	13000															
		21306	2 FRB 7.7/72		5520	6100	10000															
35	SNAL 307	1307	2 FRB 9/80	AL 510	2650	850	11000	60,0	205	170	60	15	20	25	108	85	39	80	25	45	M12	3,2
		2307	2 FRB 4/80		3970	1120	12000															
		21307	2 FRB 9/80		6560	7200	9500															
40	SNAL 308	1308	2 FRB 9/90	AL 510	3380	1120	9500	60,0	205	170	60	15	20	25	114	90	41	90	27	50	M12	3,6
		2308	2 FRB 4/90		5400	1600	10000															
		21308	2 FRB 9/90		10400	10800	9500															
		22308	2 FRB 4/90		15000	14000	8000															
45	SNAL 309	1309	2 FRB 9.5/100	AL 511	8900	1340	8500	70,0	255	210	70	18	24	28	129	95	44	100	30	55	M16	5,3
		2309	2 FRB 4/100		6370	1930	9000															
		21309	2 FRB 9.5/100		12500	12700	8500															
		22309	2 FRB 4/100		18300	18300	7000															
50	SNAL 310	1310	2 FRB 10.5/110	AL 512	4360	1400	8000	70,0	255	210	70	18	24	30	134	105	48	110	33	60	M16	5,8
		2310	2 FRB 4/110		6370	2000	9500															
		21310	2 FRB 10.5/110		15600	16600	7500															
		22310	2 FRB 4/110		22000	22400	6300															
55	SNAL 311	1311	2 FRB 11/120	AL 513	5070	1800	7500	80,0	275	230	80	18	24	30	150	110	51	120	35	65	M16	6,9
		2311	2 FRB 4/120		7610	2400	7500															
		21311	2 FRB 11/120		15600	16600	7500															
		22311	2 FRB 4/120		27000	28000	5600															
60	SNAL 312	1312	2 FRB 12.5/130	AL 515	5850	2200	6300	80,0	280	230	80	18	24	30	156	115	56	130	37	70	M16	8,1
		2312	2 FRB 5/130		8710	2850	7000															
		21312	2 FRB 12.5/130		21200	24000	6300															
		22312	2 FRB 5/130		31000	33500	5300															



# SNAL 300



- Vedações: TG, TA, TC e TS.

Eixo Ød1 mm	Caixa	Montagem		Tampa Cega	Cargas (Kgf)		Limite Rotação RPM	Dimensão nominal (mm)												Paraf.	Peso (Kg)		
		Rolamento	Anel de Bloqueio		dinâmica C <sub>r</sub>	estática C <sub>or</sub>		h	a	e	b	s1	s2	g	w	l	Ca	Da	t			d2	
65	SNAL 313	1313	2 FRB 12.5/140	AL 516	6500	2550	6000	95,0	315	260	90	22	28	32	177	120	58	140	39	75	M20	10,3	
		2313	2 FRB 5/140		9560	3250																	6300
		21313	2 FRB 12.5/140		23600	27000																	6000
		22313	2 FRB 5/140		34000	36000																	5000
70	SNAL 314	1314	2 FRB 13/150	AL 518	7410	2750	6000	95,0	320	260	90	22	28	32	183	125	61	150	41	80	M20	10,5	
		2314	2 FRB 5/150		11100	3750																	6000
		21314	2 FRB 13/150		29100	32500																	5600
		22314	2 FRB 5/150		41300	43000																	4500
75	SNAL 315	1315	2 FRB 14/160	AL 518	7930	3000	5600	100,0	345	290	100	22	28	35	194	140	65	160	44	85	M20	14,1	
		2315	2 FRB 5/160		12400	4300																	5600
		21315	2 FRB 14/160		28500	32500																	5600
		22315	2 FRB 5/160		44000	47500																	4300
80	SNAL 316	1316	2 FRB 14.5/170	AL 519	8840	3350	5300	112,0	345	290	100	22	28	35	212	144,5	68	170	47	90	M20	14,9	
		2316	2 FRB 5/170		13500	4900																	5300
		21316	2 FRB 14.5/170		32500	37500																	5300
		22316	2 FRB 5/170		49000	54000																	4000
85	SNAL 317	1317	2 FRB 14.5/180	AL 520	9750	3800	4800	112,0	380	320	110	26	32	40	217	160	70	180	49	95	M24	19,8	
		2317	2 FRB 5/180		14000	5100																	4800
		21317	2 FRB 14.5/180		32500	37500																	5300
		22317	2 FRB 5/180		55000	62000																	3800
95	SNAL 319	1319	2 FRB 17.5/200	AL 522	13300	5100	4300	125,0	410	350	120	26	32	45	239	175	80	200	54	110	M24	26,0	
		2319	2 FRB 6.5/200		16500	6400																	4500
		21319	2 FRB 17.5/200		42500	49000																	4500
		22319	2 FRB 6.5/200		67000	79500																	3400
100	SNAL 320	1320	2 FRB 19.5/215	AL 524	14300	5700	4000	140,0	410	350	120	26	32	45	258	185	86	215	58	115	M24	30,3	
		2320	2 FRB 6.5/215		19000	8000																	4000
		21320	2 FRB 19.5/215		42500	49000																	4500
		22320	2 FRB 6.5/215		81500	95000																	3000
130	SNAL 326	22326	2 FRB 6.5/280	AL 526	112000	132000	2400	170,0	550	470	160	35	42	60	340	205	106	280	88	145	M30	80,2	
140	SNAL 328	22328	2 FRB 6/300	AL 528	129000	156000	2200	180,0	620	520	170	35	42	65	366	215	114	300	84	155	M30	83,0	