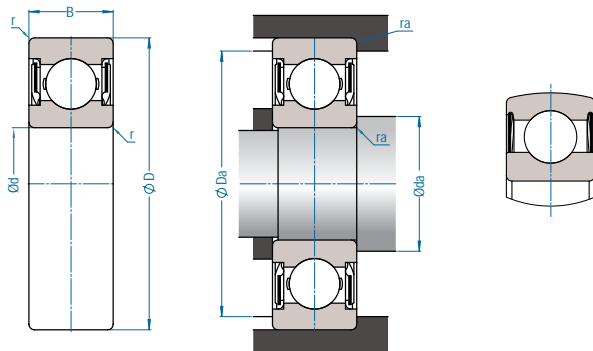


SS6 SS60 SS62

AÇO INOXIDÁVEL
rolamento CILÍNDRICO
fixação por INTERFERÊNCIA
serviço LEVE



Rolamento	Eixo Ømm	Dimensão nominal (mm)						Cargas (kgf)		Peso (g)	Rotação Máxima (rpm) Ajuste h7
		D	B	r	da Min	da Máx	ra Min	dinâmica C _r	estática C _{or}		
SS685 2RS	5	11,0	5,0	0,15	6,2	10,0	0,15	50	20	2,0	45000
SS625 2RS		16,0	5,0	0,3	7,0	14,0	0,3	125	50	5,0	36000
SS626 2RS	6	19,0	6,0	0,3	8,0	17,0	0,3	165	65	8,0	32000
SS627 2RS	7	22,0	7,0	0,3	9,0	20,0	0,3	235	100	13,0	30000
SS698 2RS	8	19,0	6,0	0,3	10,0	16,5	0,3	160	65	7,0	36000
SS608 2RS		22,0	7,0	0,3	10,0	20,0	0,3	235	100	12,0	34000
SS629 2RS	9	26,0	8,0	0,3	11,0	24,0	0,3	325	140	19,0	28000
SS609 2RS		24,0	7,0	0,3	11,0	22,0	0,3	240	100	15,0	32000
SS6000 2RS	10	26,0	8,0	0,3	12,0	24,0	0,3	350	195	19,0	17000
SS6200 2RS		30,0	9,0	0,6	14,0	26,0	0,6	395	225	19,0	17000
SS6001 2RS	12	28,0	8,0	0,3	14,0	26,0	0,3	395	225	21,0	17000
SS6201 2RS		32,0	10,0	0,6	16,0	28,0	0,6	525	305	36,0	16000
SS6002 2RS	15	32,0	9,0	0,3	17,0	30,0	0,3	430	250	29,0	15000
SS6202 2RS		35,0	11,0	0,6	19,0	31,0	0,6	590	350	43,0	15000
SS6003 2RS	17	35,0	10,0	0,3	19,0	33,0	0,3	460	280	37,0	14000
SS6203 2RS		40,0	12,0	0,6	21,0	36,0	0,6	735	450	63,0	13000
SS6004 2RS	20	42,0	12,0	0,6	24,0	38,0	0,6	720	445	65,0	12000
SS6204 2RS		47,0	14,0	1,0	25,0	42,0	1,0	990	620	105,0	11000
SS6005 2RS	25	47,0	12,0	0,6	29,0	43,0	0,6	775	500	77,0	10000
SS6205 2RS		52,0	15,0	1,0	30,0	47,0	1,0	1080	700	125,0	9500
SS6006 2RS	30	55,0	13,0	1,0	35,0	50,0	1,0	1020	690	115,0	9000
SS6206 2RS		62,0	16,0	1,0	35,0	57,0	1,0	1500	1005	192,0	8000
SS6007 2RS	35	62,0	14,0	1,0	40,0	57,0	1,0	1140	735	147,0	6700
SS6207 2RS		72,0	17,0	1,1	41,5	65,5	1,1	1975	1365	288,0	6300
SS6208 2RS	40	80,0	18,0	1,1	46,5	73,5	1,1	2270	1595	366,0	5600
SS6209 2RS	45	85,0	19,0	1,1	51,5	78,5	1,1	2435	1770	405,0	5300
SS6210 2RS	50	90,0	20,0	1,1	56,5	83,5	1,1	2790	1880	453,0	5000
SS6014 2RS	70	110,0	20,0	1,1	76,5	103,5	1,1	2730	2200	598,0	3600