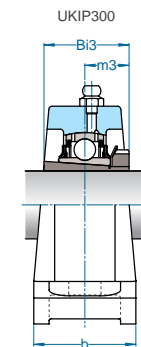
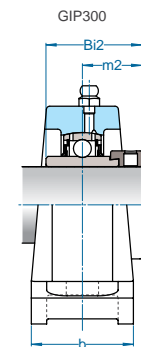
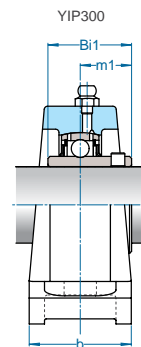
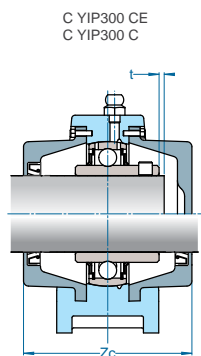
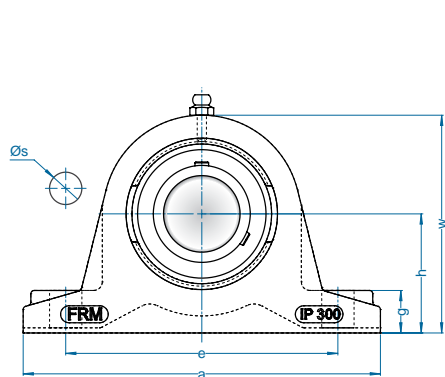
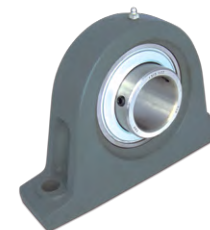


# IP 300

mancal tipo APOIO  
serviço PESADO



Caixa	Eixo		Dimensão nominal (mm)									Paraf.	Peso (kg)				D	Rolamentos							
	Ø pol	Ø mm	h	a	e	b	s	g	w	t	Zc		YP3	CYIP3 C(E)	GP3	UKIP3		Y 300		G 300		UK 300			
																Bi1	m1	Bi2	m2	Ø Eixo	Bucha	Bi3	m3		
IP 313	2-1/2	65	110,0	314	250	70	22	30	208	4	160	M20 3/4	13,50	18,50	13,90	13,00	140,0	75,0	45,0	85,7	53,2	2-3/16 2-1/4 60 2-3/8	HA2313 HE2313 H2313 HS2313	65,0	38,5
IP 314	2-11/16	70	110,0	330	270	75	25	37	215	4	160	M22 7/8	14,50	20,60	15,10	-	150,0	78,0	47,0	92,1	58,0	-	-	-	-
IP 315	2-15/16 3	75	120,0	344	280	75	25	35	230	4	170	M22 7/8	16,30	23,70	17,30	15,70	160,0	82,0	50,0	100,0	62,7	2-1/2 65	HE2315 H2315	73,0	42,5
IP 316	3-3/16	80	120,0	350	290	85	25	40	235	4	184	M22 7/8	20,90	25,90	22,00	21,10	170,0	86,0	52,0	106,4	65,9	2-3/4 70	HE2316 H2316	78,0	44,5
IP 317		85	130,0	370	310	85	25	42	255	5	190	M22 7/8	24,20	33,30	25,20	22,70	180,0	96,0	56,0	109,5	67,5	75 3	H2317 HE2317	82,0	48,0
IP 318	3-7/16	90	130,0	400	330	85	29	45	260	5	180	M24 1	25,90	35,00	27,50	26,20	190,0	96,0	56,0	115,9	72,3	80	H2318	86,0	48,0
IP 319		95 100	150,0	410	340	85	29	45	285	5	185	M24 1	29,70	38,70	31,50	30,00	200,0	103,0	62,0	122,3	83,4	3-1/4 85	HE2319 H2319	90,0	52,0
IP 320	3-15/16 4	100	150,0	430	360	85	29	45	295	5	200	M24 1	37,10	52,80	39,00	36,80	215,0	108,0	66,0	128,6	78,6	3-1/2 90	HE2320 H2320	97,0	54,0
IP 322		110	170,0	490	410	100	32	57	335	5	210	M27 1	50,40	64,40	57,50	51,00	240,0	117,0	71,0	-	-	100 4	H2322 HE2322	105,0	61,0
IP 324		120	170,0	510	430	100	32	50	345	5	230	M27 1	56,80	70,80	-	56,30	260,0	126,0	75,0	-	-	110	H2324	112,0	65,5
IP 326		65	200,0	550	470	110	32	50	390	6	230	M27 1	73,20	93,20	-	73,50	280,0	135,0	81,0	-	-	115	H2326	121,0	68,0
IP 328		140	200,0	590	500	110	35	55	400	6	240	M30 1-1/8	83,50	106,50	-	83,90	300,0	145,0	86,0	-	-	125	H2328	131,0	73,0