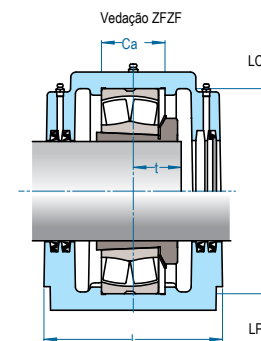
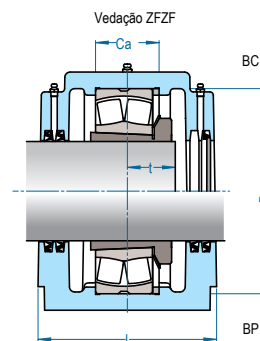
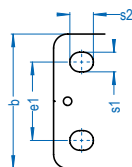
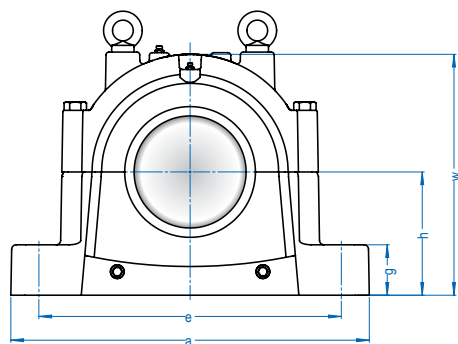


SNL 500



Eixo Ød mm	Mancal	Montagem			Cargas (kgf)		Limite Rotação RPM	Dimensão nominal (mm)													Paraf.	Peso (kg)
		Rolamento	Bucha de Fixação	Anel de Bloqueio	dinâmica C _r	estática C _{0r}		h	a	e	e1	b	s1	s2	g	w	l	Ca	Da	t		
135	SNL 530	22230K	H3130	1 FRB 9,5/270	85000	108000	3000	160,0	550	450	120	220	33	45	55	320	240	83	270	74	M24	80,0
140	SNL 532	22232K	H3132	1 FRB 9,5/290	100000	129000	2800	170,0	580	480	130	230	33	45	55	340	250	90	290	76	M24	90,0
150	SNL 534	22234K	H3134	1 FRB 9,5/310	112000	146000	2600	180,0	620	510	140	250	36	46	60	360	270	96	310	79	M30	127,5
160	SNL 536	22236K	H3136	1 FRB 9,5/320	118000	156000	2600	190,0	650	540	150	260	36	46	60	380	280	96	320	79	M30	140,0
170	SNL 538	22238K	H3138	1 FRB 9,5/340	127000	170000	2400	200,0	700	570	160	280	36	46	65	400	290	102	340	86	M30	162,0
180	SNL 540	22240K	H3140	1 FRB 9,5/360	146000	193000	2200	210,0	740	610	170	290	36	46	65	420	300	108	360	89	M30	215,0
200	SNL 544	22244K	H3144	1 FRB 9,5/400	176000	236000	2000	240,0	820	680	190	320	43	59	70	475	330	118	400	95	M36	255,0
220	SNL 548	22248K	H3148	1 FRB 9,5/440	220000	300000	1800	260,0	880	740	200	330	43	59	85	515	340	130	440	102	M36	276,0
240	SNL 552	22252K	H3152	1 FRB 9,5/480	265000	355000	1600	280,0	940	790	210	360	43	59	85	560	370	140	480	110	M36	350,0
260	SNL 556	22256K	H3156	1 FRB 9,5/500	270000	375000	1500	300,0	990	830	230	380	50	67	100	590	390	140	500	112	M42	447,0
280	SNL 560	22260K	H3160	1 FRB 9,5/540	315000	425000	1400	325,0	1060	890	250	400	50	67	100	640	410	150	540	124	M42	564,0
300	SNL 564	22264K	H3164	1 FRB 9,5/580	360000	490000	1300	355,0	1110	930	270	430	58	75	110	690	440	160	580	130	M48	615,0