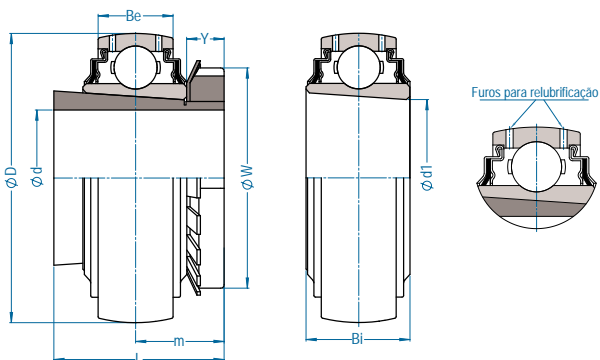


UK 200

rolamento ESFÉRICO
fixação por BUCHA ADAPTADORA
serviço NORMAL



Rolamento	Buchas	Eixo		Dimensão nominal (mm)								Cargas (kgf)		Peso (kg)
		\varnothing pol	\varnothing mm	D	Bi	Be	m	L	W	d1	Y	C_r	C_{or}	
UK 205 V22	HE2305 H2305	3/4	20	52,0	21,0	17,0	18,5	35,0	38,0	25,0	8,0	1430	800	0,25
UK 206 V22	HS2306	7/8	25	62,0	25,0	19,0	20,5	38,0	45,0	30,0	8,0	2000	1140	0,40
	HA2306	15/16												
	HE2306	1												
UK 207 V22	HS2307	1-1/8	30	72,0	27,0	20,0	22,5	43,0	52,0	35,0	9,0	2640	1550	0,55
	H2307	1-3/16												
	HA2307													
UK 208 V22	HE2308	1-1/4	35	80,0	29,0	21,0	24,5	46,0	58,0	40,0	10,0	2990	1860	0,70
	HA2308	1-5/16												
	HS2308	1-3/8												
	H2308													
UK 209 V22	HA2309	1-7/16	40	85,0	30,0	22,0	26,0	50,0	65,0	45,0	11,0	3350	2120	0,75
	HE2309	1-1/2												
	H2309													
	HS2309	1-5/8												
UK 210 V22	HA2310	1-11/16	45	90,0	31,0	23,0	27,5	55,0	70,0	50,0	12,0	3600	2370	0,90
	HE2310	1-3/4												
	H2310													
UK 211 V22	HS2311	1-7/8	50	100,0	33,0	25,0	28,5	59,0	75,0	55,0	12,0	4400	2980	1,15
	HA2311	1-15/16												
	HE2311	2												
UK 212 V22	HS2312 H2312	2-1/8	55	110,0	36,0	27,0	31,0	62,0	80,0	60,0	13,0	5350	3350	1,45
UK 213 V22	HA2313	2-3/16	60	120,0	36,0	28,0	32,0	65,0	85,0	65,0	14,0	5850	4080	1,80
	HE2313	2-1/4												
	H2313	2-3/8												
	HS2313													
UK 215 V22	HE2315 H2315	2-1/2	65	130,0	41,0	30,0	35,5	73,0	98,0	75,0	15,0	6750	5050	2,60
UK 216 V22	HE2316 H2316	2-3/4	70	140,0	44,0	33,0	39,0	78,0	105,0	80,0	17,0	7400	5530	3,30
UK 217 V22	H2317 HE2317		75	150,0	44,0	35,0	40,0	82,0	110,0	85,0	18,0	8500	6510	3,90
UK 218 V22	H2318		80	160,0	48,0	37,0	42,0	86,0	120,0	90,0	18,0	9750	7300	4,70