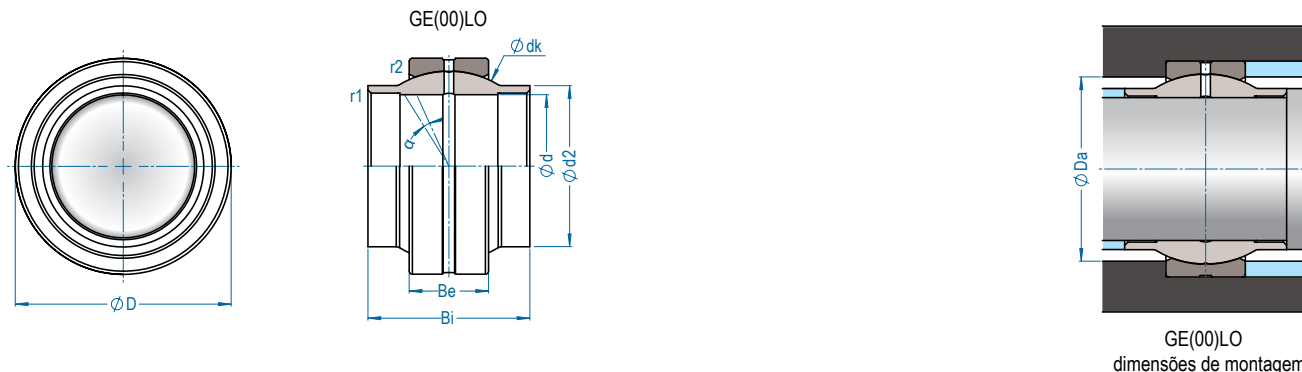


GE(00)LO

serviço LEVE
contato AÇO/AÇO
RELUBRIFICÁVEL



GE(00)LO
dimensões de montagem



Rolamento de rótula	Eixo (mm) d	Dimensão nominal (mm)						Dimensão de montagem (mm)		Peso (kg)	Cargas (kgf)		Folga radial interna CN		
		D	Bi	Be	dk	α	d2	r1s (mín.)	r2s (mín.)		da (máx.)	Da (mín.)		dinâmica C_r	estática C_{or}
GE12LO	12	22	12	7	18,0	4°	15,5	0,3	0,3	15,5	12,5	0,017	1101	5506	0,032 – 0,068
GE16LO	16	28	16	9	23,0	4°	20,0	0,3	0,3	20,0	15,5	0,035	1795	8974	0,040 – 0,082
GE20LO	20	35	20	12	29,0	4°	25,0	0,3	0,3	25,0	17,5	0,067	3059	14888	0,040 – 0,082
GE25LO	25	42	25	16	35,5	4°	30,0	0,6	0,6	30,0	21,0	0,120	4895	24473	0,050 – 0,100
GE30LO	30	47	30	18	40,7	4°	34,0	0,3	0,6	34,0	41,8	0,170	6320	31600	0,050 – 0,100
GE32LO	32	52	32	18	44,0	4°	38,0	0,6	1,0	38,0	24,0	0,210	6832	34161	0,050 – 0,100
GE35LO	35	55	35	20	47,0	4°	40,0	0,6	1,0	40,0	48,5	0,240	8157	40788	0,050 – 0,100
GE40LO	40	62	40	22	53,0	4°	46,0	0,6	1,0	46,0	27,5	0,330	10197	50986	0,060 – 0,120
GE50LO	50	75	50	28	66,0	4°	57,0	0,6	1,0	57,0	33,0	0,590	15908	79538	0,060 – 0,120
GE63LO	63	95	63	36	83,0	4°	71,5	1,0	1,0	71,5	38,0	1,300	26003	129504	0,072 – 0,142
GE70LO	70	105	70	40	92,0	4°	79,0	1,0	1,0	79,0	44,5	1,600	32121	159076	0,072 – 0,142
GE80LO	80	120	80	45	105,0	4°	91,0	1,0	1,0	91,0	51,0	2,600	40789	203944	0,072 – 0,142
GE90LO	90	130	90	50	115,0	4°	99,0	1,0	1,0	99,0	57,0	3,000	49966	249831	0,072 – 0,142
GE100LO	100	150	100	55	130,0	4°	113,0	1,0	1,0	113,0	63,0	4,700	62203	311015	0,085 – 0,165
GE110LO	110	160	110	55	140,0	4°	124,0	1,0	1,0	124,0	75,0	5,500	66792	331409	0,085 – 0,165
GE125LO	125	180	125	70	160,0	4°	138,0	1,0	1,0	138,0	87,0	8,100	96873	484367	0,085 – 0,165
GE160LO	160	230	160	80	200,0	4°	177,0	1,0	1,0	177,0	99,0	15,800	139702	693410	0,100 – 0,192
GE200LO	200	290	200	100	250,0	4°	221,0	1,1	1,1	221,0	108,0	32,500	216181	1080903	0,100 – 0,192
GE250LO	250	400	250	120	350,0	4°	317,0	2,5	1,1	317,0	123,0	102,000	362001	1835496	0,125 – 0,239
GE320LO	320	520	320	160	450,0	4°	405,0	2,5	4,0	405,0	134,0	224,000	622029	3110146	0,135 – 0,261