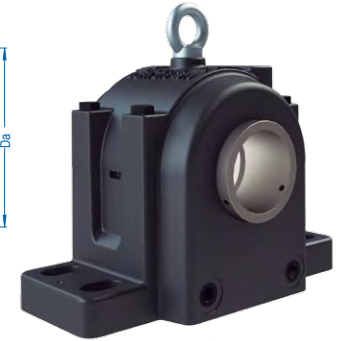


SONL 500



Eixo Ød mm	Mancal	Montagem			Cargas (kgf)		Limite Rotação RPM	Dimensão nominal (mm)																				Roscas			Paraf.	Olhal	C (óleo)		Peso (kg)
		Rolamento	Bucha de Fixação	Anel de Bloqueio	dinâmica C _r	estática C _{or}		h	a	e	e1	b	s1	s2	g	w	l	l1	Ca	Da	R1	R2	O	P	d1	Rg	p1	p2	nível min	nível máx					
55	SONL 512	22212K	H312	2 FRB 3/110	15600	16600	7500	95,0	270	210	50	92	19	30	30	168	145	150	34	110	75	20	128	40	68	1/2 NPT	1/2 NPT	3/8 BSP	M16	M10	33	53	16,0		
60	SONL 513	22213K	H313	2 FRB 3/120	19300	21600	7000	100,0	290	233	50	95	19	33	30	180	148	155	37	120	85	20	130	40	75	1/2 NPT	1/2 NPT	3/8 BSP	M16	M10	37	53	17,0		
65	SONL 515	22215K	H315	2 FRB 5/130	21200	24000	6300	110,0	290	230	55	100	19	34	30	198	152	170	41	130	98	20	132	42,5	80	1/2 NPT	1/2 NPT	3/8 BSP	M16	M10	40	60	17,2		
75	SONL 517	22217K	H317	2 FRB 5/150	28500	32500	5600	125,0	330	260	60	110	24	40	35	230	163	180	46	150	118	22	138	47,5	96	1/2 NPT	1/2 NPT	3/8 BSP	M20	M10	48	63	24,3		
80	SONL 518	22218K	H318	2 FRB 5/160	32500	37500	5300	135,0	360	290	70	120	24	40	45	245	170	190	50	160	128	22	142	50	100	1/2 NPT	1/2 NPT	3/8 BSP	M20	M12	48	68	31,0		
85	SONL 519	22219K	H319	2 FRB 5/170	38000	45000	4800	140,0	360	290	80	135	24	40	40	255	180	200	53	170	136	22	146	50	105	1/2 NPT	1/2 NPT	3/8 BSP	M20	M12	50	70	36,0		
90	SONL 520	22220K	H320	2 FRB 7/180	42500	49000	4500	145,0	400	320	75	130	26	32	50	270	186	206	60	180	144	22	150	50	110	3/4 NPT	1/2 NPT	1/2 NPT	M24	M12	53	70	39,0		
100	SONL 522	22222K	H322	2 FRB 9/200	56000	64000	4000	160,0	420	347	75	145	28	45	50	290	213	229	71	200	162	23	163	55	120	3/4 NPT	1/2 NPT	1/2 NPT	M24	M12	53	77	51,5		
110	SONL 524	22224K	H3124	2 FRB 12/215	63000	76500	3800	170,0	420	347	90	170	28	45	55	315	245	276	82	215	178	25	179	55	135	3/4 NPT	1/2 NPT	1/2 NPT	M24	M16	63	80	66,7		
115	SONL 526	22226K	H3126	2 FRB 11/230	73500	93000	3600	180,0	450	377	100	180	28	40	60	335	255	270	86	230	192	25	184	60	145	3/4 NPT	1/2 NPT	1/2 NPT	M24	M20	63	85	81,0		
125	SONL 528	22228K	H3128	2 FRB 11/250	71000	90000	3200	190,0	500	415	100	190	35	45	65	355	260	280	90	250	200	26	187	65	160	3/4 NPT	1/2 NPT	3/4 NPT	M30	M20	63	85	97,0		
135	SONL 530	22230K	H3130	2 FRB 10/270	85000	108000	3000	200,0	540	450	115	190	35	50	65	375	260	280	93	270	220	26	187	65	170	3/4 NPT	1/2 NPT	3/4 NPT	M30	M20	63	90	107,2		
140	SONL 532	22232K	H3132	2 FRB 12/290	100000	129000	2800	215,0	560	470	120	205	35	50	65	406	278	316	104	290	252	26	196	65	178	3/4 NPT	1/2 NPT	3/4 NPT	M30	M20	68	95	128,0		
150	SONL 534	22234K	H3134	2 FRB 14/310	112000	146000	2600	235,0	610	515	130	230	35	55	70	440	310	350	114	310	268	41	215	85	195	3/4 NPT	1/2 NPT	3/4 NPT	M30	M24	80	105	180,0		
160	SONL 536	22236K	H3136	2 FRB 14/320	118000	156000	2600	245,0	650	545	150	240	35	65	75	455	320	360	114	320	278	41	220	85	205	3/4 NPT	1/2 NPT	3/4 NPT	M30	M24	83	115	202,0		
170	SONL 538	22238K	H3138	2 FRB 14/340	127000	170000	2400	260,0	720	590	150	250	42	70	85	480	330	370	120	340	298	41	225	85	220	3/4 NPT	1/2 NPT	3/4 NPT	M36	M24	88	120	236,0		
180	SONL 540	22240K	H3140	2 FRB 14/360	146000	193000	2200	275,0	730	600	160	260	42	70	85	510	338	378	126	360	320	41	229	85	227	3/4 NPT	1/2 NPT	3/4 NPT	M36	M24	88	125	249,0		
200	SONL 544	22244K	OH3144	2 FRB 14/400	176000	236000	2000	305,0	820	670	180	280	42	80	95	565	358	404	136	400	360	41	239	105	255	3/4 NPT	1/2 NPT	3/4 NPT	M36	M24	98	140	343,0		

Esta linha permite montagens para eixos com diâmetros em polegadas.
Consulte os Departamentos de Engenharia / Comercial da FRM para verificar as medidas disponíveis e especificar os componentes.