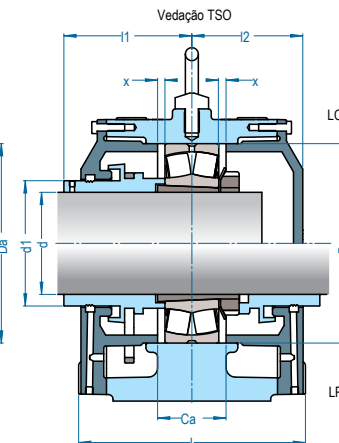
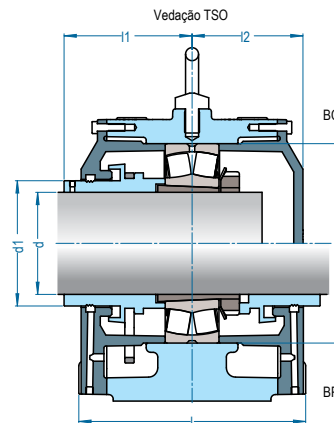
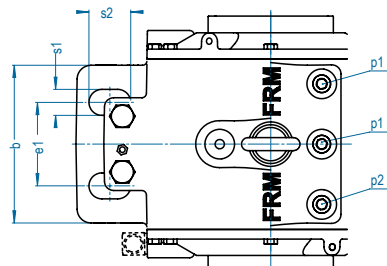
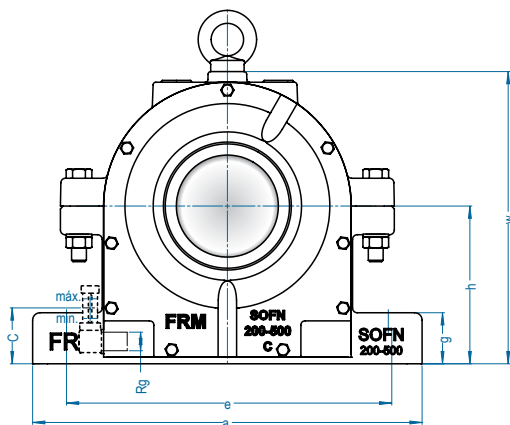


SOFN 500



Eixo Ød mm	Mancal	Montagem		Cargas (kgf)		Limite Rotação RPM	Dimensão nominal (mm)																Roscas			Paraf.	Olhal	C (óleo)		Peso (kg)
		Rolamento	Bucha de Fixação	dinâmica C _r	estática C _{or}		h	a	e	e1	b	s1	s2	g	w	l	l1	l2	Ca	Da	d1	x	Rg	p1	p2			nível mín	nível máx	
55	SOFN 512	22212K	H312	15600	16600	7500	95,0	270	210	50	92	19	30	30	168	145	75	67,5	34	110	68	3	1/2 NPT	1/2 NPT	3/8 BSP	M16	M10	33	53	20,0
60	SOFN 513	22213K	H313	19300	21600	7000	100,0	290	233	50	95	19	33	30	180	148	77,5	70	37	120	75	3	1/2 NPT	1/2 NPT	3/8 BSP	M16	M10	37	53	21,0
65	SOFN 515	22215K	H315	21200	24000	6300	110,0	290	230	55	100	19	34	30	198	152	85	77,5	41	130	80	5	1/2 NPT	1/2 NPT	3/8 BSP	M16	M10	40	60	22,0
75	SOFN 517	22217K	H317	28500	32500	5600	125,0	330	260	60	110	24	40	35	230	182	90	82,5	46	150	96	5	1/2 NPT	1/2 NPT	3/8 BSP	M20	M10	42	63	28,0
80	SOFN 518	22218K	H318	32500	37500	5300	135,0	360	290	70	120	24	40	45	245	190	95	85	50	160	100	5	1/2 NPT	1/2 NPT	3/8 BSP	M20	M12	45	68	36,4
85	SOFN 519	22219K	H319	38000	45000	4800	140,0	360	290	80	135	24	40	40	255	210	100	92	53	170	105	5	1/2 NPT	1/2 NPT	3/8 BSP	M20	M12	50	70	34,0
90	SOFN 520	22220K	H320	42500	49000	4500	145,0	400	320	75	130	28	45	50	270	205	103	93	56	180	110	5	1/2 NPT	1/2 NPT	1/2 NPT	M24	M12	50	70	44,5
100	SOFN 522	22222K	H322	56000	64000	4000	160,0	420	347	75	145	28	45	50	290	216	115	102	63	200	120	5	1/2 NPT	1/2 NPT	1/2 NPT	M24	M12	50	77	47,0
110	SOFN 524	22224K	H3124	63000	76500	3800	170,0	420	347	90	170	28	45	55	315	245	138	120	74	215	135	8	1/2 NPT	1/2 NPT	1/2 NPT	M24	M16	60	80	68,4
115	SOFN 526	22226K	H3126	73500	93000	3600	180,0	450	377	100	180	28	45	60	335	260	135	120	80	230	145	8	1/2 NPT	1/2 NPT	1/2 NPT	M24	M20	60	85	73,0
125	SOFN 528	22228K	H3128	71000	90000	3200	190,0	500	415	100	190	35	45	65	355	265	140	125	84	250	160	8	1/2 NPT	1/2 NPT	3/4 NPT	M30	M20	60	85	93,7
135	SOFN 530	22230K	H3130	85000	108000	3000	200,0	540	450	115	190	35	50	65	375	265	140	125	89	270	170	8	1/2 NPT	1/2 NPT	3/4 NPT	M30	M20	60	90	107,0
140	SOFN 532	22232K	H3132	100000	129000	2800	215,0	560	470	120	205	35	50	65	405	280	158	140	100	290	178	10	1/2 NPT	1/2 NPT	3/4 NPT	M30	M20	65	95	122,4
150	SOFN 534	22234K	H3134	112000	146000	2600	235,0	610	515	130	230	35	55	70	440	310	175	155	106	310	195	10	1/2 NPT	1/2 NPT	3/4 NPT	M30	M24	75	105	157,0
160	SOFN 536	22236K	H3136	118000	156000	2600	245,0	650	545	150	240	35	65	75	455	320	180	160	106	320	205	10	1/2 NPT	1/2 NPT	3/4 NPT	M30	M24	80	115	180,0
170	SOFN 538	22238K	H3138	127000	170000	2400	260,0	720	590	150	250	42	70	85	480	335	185	165	116	340	220	12	1/2 NPT	1/2 NPT	3/4 NPT	M36	M24	85	120	205,0
180	SOFN 540	22240K	H3140	146000	193000	2200	275,0	730	600	160	260	42	70	85	510	350	189	169	122	360	227	12	1/2 NPT	1/2 NPT	3/4 NPT	M36	M24	85	125	238,0
200	SOFN 544	22244K	OH3144	176000	236000	2000	305,0	820	670	180	280	42	80	95	565	370	202	183	132	400	255	12	1/2 NPT	1/2 NPT	3/4 NPT	M36	M24	95	140	315,0
220	SOFN 548	22248K	OH3148	220000	300000	1800	340,0	900	740	190	290	42	80	##	625	380	210	190	144	440	270	12	1/2 NPT	1/2 NPT	3/4 NPT	M36	M24	110	155	375,0

Esta linha permite montagens para eixos com diâmetros em polegadas.
 Consulte os Departamentos de Engenharia / Comercial da FRM para verificar as medidas disponíveis e especificar os componentes.