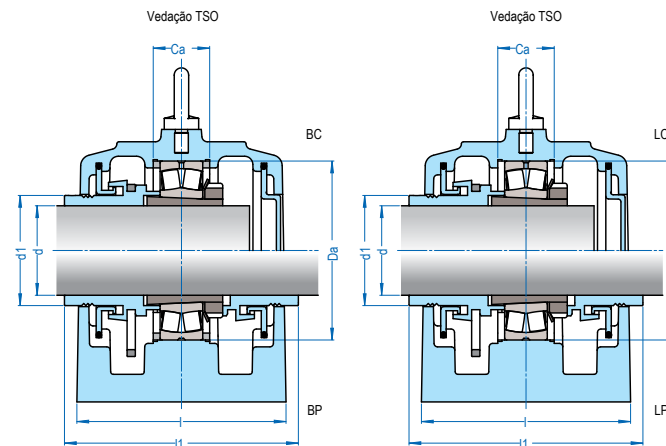
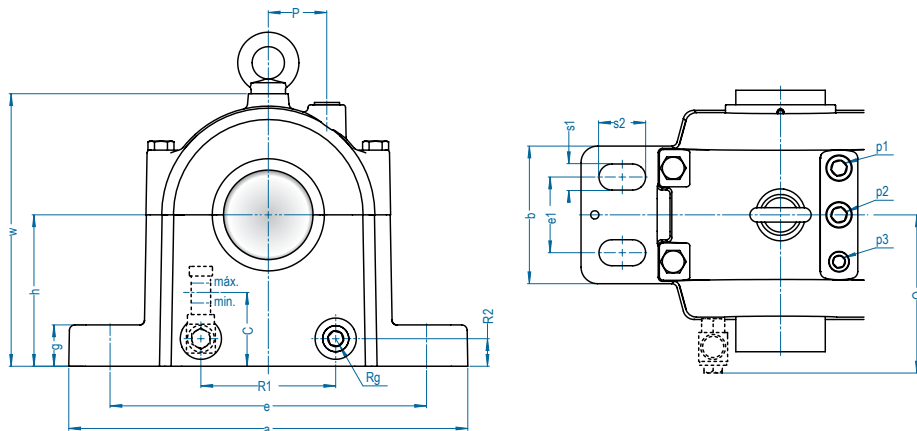


SONL 600



Eixo Ød mm	Mancal	Montagem			Cargas (kgf)		Limite Rotação RPM	Dimensão nominal (mm)																	Roscas			Paraf	Olhal	C (óleo)		Peso (kg)	
		Rolamento	Bucha de Fixação	Anel de Bloqueio	dinâmica C _r	estática C _{or}		h	a	e	e1	b	s1	s2	g	w	l	l1	Ca	Da	R1	R2	O	P	d1	Rg	p1			p2	nível mín		nível máx
45	SONL 610	22310K	H2310	2 FRB 3/110	22000	22400	6300	95,0	270	210	50	92	19	30	30	168	145	150	46	110	75	20	128	40	58	1/2 NPT	1/4 NPT	3/8 BSP	M16	M10	33	53	16,0
50	SONL 611	22311K	H2311	2 FRB 3/120	27000	28000	5600	100,0	290	233	50	95	19	33	30	180	148	155	49	120	85	20	130	40	65	1/2 NPT	1/4 NPT	3/8 BSP	M16	M10	37	53	17,0
55	SONL 612	22312K	H2312	2 FRB 5/130	31000	33500	5300	110,0	290	230	55	100	19	34	30	198	152	170	56	130	98	20	132	42,5	70	1/2 NPT	1/4 NPT	3/8 BSP	M16	M10	40	60	17,2
60	SONL 614	22314K	H2314	2 FRB 5/150	40000	43000	5600	125,0	330	260	60	110	24	40	35	230	163	180	61	150	118	22	138	47,5	80	1/2 NPT	1/2 NPT	3/8 BSP	M20	M10	45	65	24,3
70	SONL 616	22316K	H2316	2 FRB 5/170	49000	54000	4000	140,0	360	290	80	135	24	40	40	255	180	214	68	170	136	22	146	50	95	1/2 NPT	1/2 NPT	3/8 BSP	M20	M12	45	73	31,0
80	SONL 618	22318K	H2318	2 FRB 5/190	61000	69500	3600	155,0	400	317	95	165	28	45	50	280	246	240	74	190	144	22	150	50	104	3/4 NPT	1/2 NPT	1/2 NPT	M24	M12	55	80	36,0
90	SONL 620	22320K	H2320	2 FRB 8/215	81500	95000	3000	170,0	420	347	90	170	28	45	55	315	245	270	89	215	178	25	179	55	115	3/4 NPT	1/2 NPT	1/2 NPT	M24	M16	57	85	39,0
100	SONL 622	22322K	H2322	2 FRB 8/240	95000	112000	2800	190,0	500	415	100	190	35	45	65	355	265	290	96	240	200	26	187	65	130	3/4 NPT	1/2 NPT	3/4 NPT	M30	M20	67	95	51,5
110	SONL 624	22324K	H2324	2 FRB 8/260	96500	112000	2600	200,0	540	450	115	190	35	50	65	375	265	306	102	260	220	26	187	65	140	3/4 NPT	1/2 NPT	3/4 NPT	M30	M20	65	100	66,7
115	SONL 626	22326K	H2326	2 FRB 8/280	112000	132000	2400	215,0	560	470	120	205	35	50	65	406	285	320	109	280	252	26	196	65	150	3/4 NPT	1/2 NPT	3/4 NPT	M30	M20	70	105	81,0
125	SONL 628	22328K	H2328	2 FRB 8/300	129000	156000	2200	230,0	630	510	120	220	35	60	80	425	300	340	118	300	268	41	215	85	165	3/4 NPT	1/2 NPT	3/4 NPT	M30	M24	70	115	97,0
135	SONL 630	22330K	H2330	2 FRB 10/320	146000	176000	2000	245,0	650	545	150	240	35	65	75	455	320	350	128	320	278	41	220	85	175	3/4 NPT	1/2 NPT	3/4 NPT	M30	M24	75	120	107,2
140	SONL 632	22332K	H2332	2 FRB 10/340	160000	196000	1900	260,0	720	590	150	250	42	70	85	480	335	370	134	340	298	41	225	85	190	3/4 NPT	1/2 NPT	3/4 NPT	M36	M24	80	125	128,0
150	SONL 634	22334K	H2334	2 FRB 12/360	176000	216000	1800	275,0	730	600	160	260	42	70	85	510	350	378	144	360	320	41	229	85	197	3/4 NPT	1/2 NPT	3/4 NPT	M36	M24	85	130	180,0
160	SONL 636	22336K	H2336	2 FRB 12/380	200000	245000	1700	305,0	820	670	180	280	42	80	95	565	370	404	150	380	360	41	239	105	210	3/4 NPT	1/2 NPT	3/4 NPT	M36	M24	90	155	202,0

Esta linha permite montagens para eixos com diâmetros em polegadas.
Consulte os Departamentos de Engenharia / Comercial da FRM para verificar as medidas disponíveis e especificar os componentes.