

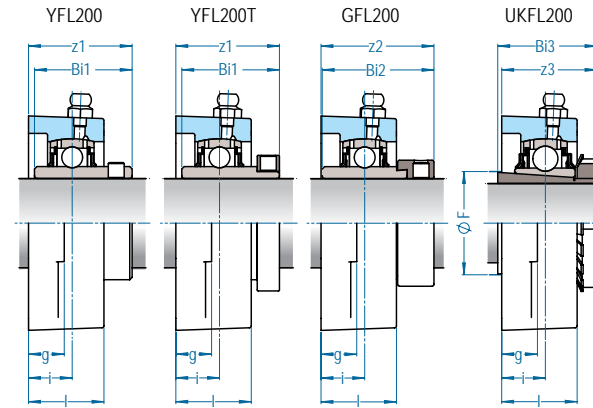
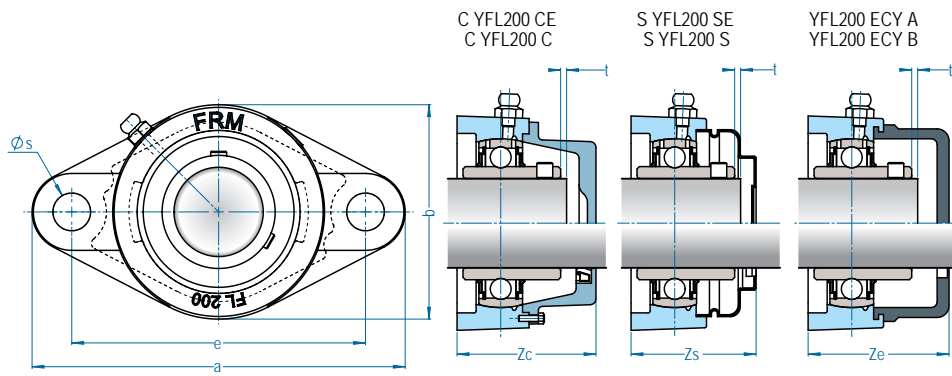
FL 200

mancal tipo FLANGE
serviço NORMAL



Caixa	Eixo		Dimensão nominal (mm)													Paraf.	Peso (kg)				D	Rolamentos						
	Ø pol	Ø mm	a	e	i	g	l	s	b	F(min.)	t	Zs	Zc	Ze	YFL2 YFL2T		CYFL2 C(E)	GFL2	UKFL2	Y 200 / Y 200 T z1 Bi1		G 200 z2 Bi2	Ø Eixo	Bucha	UK 200 z3 Bi3			
FL 204 ⁽¹⁾	1/2 5/8 3/4	12 15 17 20	113	90,0	15,0	11	25	12,0	60	-	2	40	46	47	M10 3/8	0,50	0,70	0,50	-	47,0	33,3	31,0	41,5	43,5	-	-	-	-
FL 205 ⁽¹⁾	7/8 15/16 1	25	130	99,0	16,0	14	27	16,0	68	30	2	44	51	54	M14 1/2	0,60	0,80	0,70	0,70	52,0	35,7	34,0	42,9	44,3	3/4 20	HE2305 H2305	34,5	35,0
FL 206 ⁽¹⁾	1-1/16 1-1/8 1-3/16 1-1/4	30	148	117,0	18,0	14	31	16,0	80	36	2	49	54	61	M14 1/2	0,90	1,20	1,00	1,00	62,0	40,2	38,1	48,1	48,3	7/8 15/16 25 1	HS2306 HA2306 H2306 HE2306	38,5	38,0
FL 207 ⁽¹⁾	1-1/4 1-5/16 1-3/8 1-7/16	35	161	130,0	19,0	16	34	16,0	90	40	3	55	59	64	M14 1/2	1,30	1,70	1,40	1,30	72,0	44,4	42,9	51,3	51,1	1-1/8 30 1-3/16	HS2307 H2307 HA2307	41,5	43,0
FL 208 ⁽¹⁾	1-1/2	40	175	144,0	21,0	16	36	16,0	100	46	3	62	66	71	M14 1/2	1,60	2,10	1,70	1,60	80,0	51,2	49,2	55,9	56,3	1-1/4 1-5/16 1-3/8 35	HE2308 HA2308 HS2308 H2308	45,5	46,0
FL 209 ⁽¹⁾	1-9/16 1-5/8 1-11/16 1-3/4	45	188	148,0	22,0	18	38	19,0	108	52	3	63	70	71	M16 5/8	1,90	2,40	2,10	1,90	85,0	52,2	49,2	56,9	56,3	1-7/16 1-1/2 40 1-5/8	HA2309 HE2309 H2309 HS2309	48,0	50,0
FL 210 ⁽¹⁾	1-13/16 1-7/8 1-15/16 2	50	197	157,0	22,0	18	40	19,0	115	57	3	65	75	75	M16 5/8	2,20	2,80	2,40	2,30	90,0	54,6	51,6	60,1	62,7	1-11/16 1-3/4 45	HA2310 HE2310 H2310 H2310	49,5	55,0
FL 211 ⁽¹⁾	2 2-1/8 2-3/16	55	224	184,0	25,0	20	43	19,0	130	64	4	71	78	82	M16 5/8	3,10	3,90	3,40	3,10	100,0	58,4	55,6	68,6	71,3	1-7/8 1-15/16 50 2	HS2311 HA2311 H2311 HS2311	53,5	59,0

(1) - permite tampa TI mediante solicitação - ver descritivo técnico, 042 deste catálogo.



FL 200

mancal tipo FLANGE
serviço NORMAL



Caixa	Eixo		Dimensão nominal (mm)											Paraf.	Peso (kg)				D	Rolamentos								
	Ø pol	Ø mm	a	e	i	g	l	s	b	F(min.)	t	Zs	Zc		Ze	YFL2 YFL2T	CYFL2 C(E)	GFL2		UKFL2	Y 200 / Y 200 T z1 Bi1	G 200 z2 Bi2	Ø Eixo	Bucha	UK 200 z3 Bi3			
FL 212 ⁽¹⁾	2-1/4 2-3/8 2-7/16	60	250	202,0	29,0	20	48	23,0	140	69	4	80	86	89	M20 3/4	3,90	5,30	4,30	3,80	110,0	68,7	65,1	75,8	77,7	2-1/8 55	HS2312 H2312	60,0	62,0
FL 213	2-1/2	65	258	210,0	30,0	24	50	23,0	155	74	4	-	96	97	M20 3/4	4,80	6,70	5,50	4,90	120,0	69,7	65,1	81,6	85,7	2-3/16 2-1/4 60 2-3/8	HA2313 HE2313 H2313 HS2313	62,0	65,0
FL 214	2-11/16 2-3/4	65 70	265	216,0	31,0	24	54	23,0	160	-	4	-	104	99	M20 3/4	5,30	6,70	6,00	-	125,0	75,4	74,6	82,6	85,7	-	-	-	-
FL 215	2-15/16 3	75	275	225,0	34,0	24	56	23,0	165	84	4	-	102	108	M20 3/4	5,90	8,00	6,50	6,30	130,0	78,5	77,8	88,8	92,1	2-1/2 65	HE2315 H2315	69,5	73,0
FL 216	3-3/16	80	290	233,0	34,0	24	58	25,0	180	90	4	-	110	109	M22 7/8	7,10	9,60	7,40	7,60	140,0	83,3	82,6	91,9	95,2	2-3/4 70	HE2316 H2316	73,0	78,0
FL 217	3-1/4	85	305	248,0	36,0	26	63	25,0	190	95	5	-	116	109	M22 7/8	8,70	11,60	-	9,10	150,0	87,6	85,7	-	-	75 3	H2317 HE2317	76,0	82,0
FL 218	3-1/2	90	320	265,0	40,0	26	68	25,0	205	102	5	-	122	114	M22 7/8	10,70	14,40	9,90	10,90	160,0	96,3	96,0	86,0	69,5	80	H2318	82,0	86,0

(1) - permite tampa TI mediante solicitação - ver descritivo técnico, 042 deste catálogo.