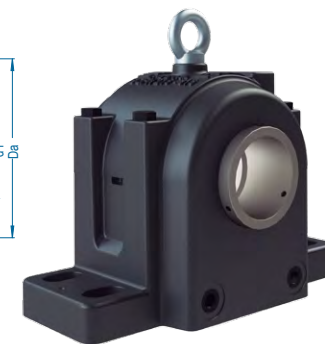
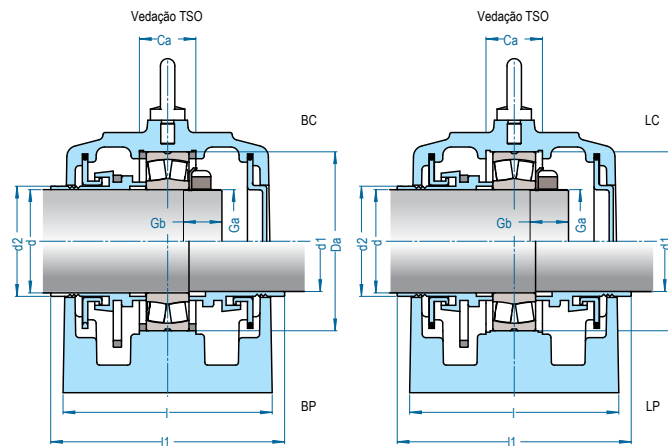
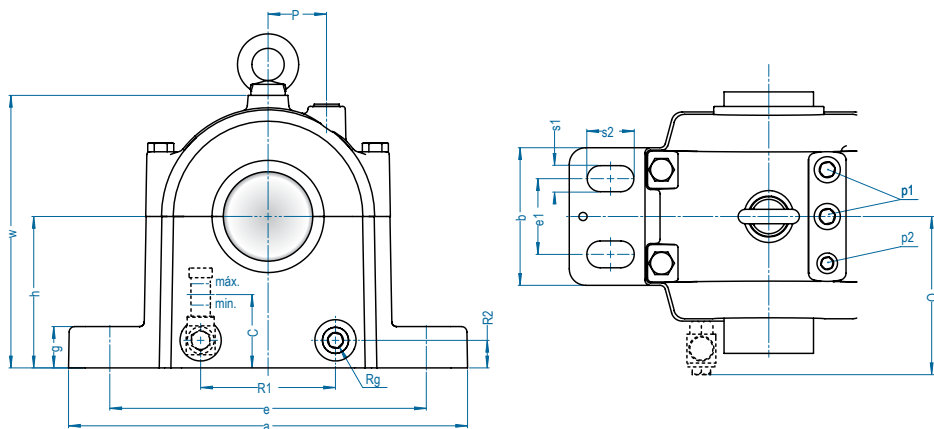


SONL 300



Eixo Ød mm	Mancal	Montagem				Cargas (kgf)		Limite Rotação RPM	Dimensão nominal (mm)																	Roscas			Paraf	Olhal	C (óleo)		Peso (kg)				
		Rolamento	Porca	Arruela	Anel de Bloqueio	dinâmica C _r	estática C _{or}		h	a	e	e1	b	s1	s2	g	w	l	l1	Ca	Da	R1	R2	O	P	d1	d2	Ga			Gb	Rg		p1	p2	min	max
50	SONL 310	22310	KM10	MB10	2 FRB 3/110	22000	22400	6300	95,0	270	210	50	92	19	30	30	168	145	150	46	110	75	20	128	40	49	58	M50x1,5	18	1/2 NPT	1/4 NPT	3/8 BSP	M16	M10	33	53	16,0
55	SONL 311	22311	KM11	MB11	2 FRB 3/120	27000	28000	5600	100,0	290	233	50	95	19	33	30	180	148	155	49	120	85	20	130	40	53	65	M55x2	17	1/2 NPT	1/4 NPT	3/8 BSP	M16	M10	37	53	16,0
60	SONL 312	22312	KM12	MB12	2 FRB 5/130	31000	33500	5300	110,0	290	230	55	100	19	34	30	198	152	170	56	130	98	20	132	43	58	70	M60x2	17	1/2 NPT	1/4 NPT	3/8 BSP	M16	M10	40	60	17,0
70	SONL 314	22314	KM14	MB14	2 FRB 5/150	40000	43000	4500	125,0	330	260	60	110	24	40	35	230	163	180	61	150	118	22	138	48	68	80	M70x2	18	1/2 NPT	1/2 NPT	3/8 BSP	M20	M10	48	63	24,0
80	SONL 316	22316	KM16	MB16	2 FRB 5/170	49000	54000	4000	140,0	360	290	80	135	24	40	40	255	180	214	68	170	136	22	146	50	78	95	M80x2	22	1/2 NPT	1/2 NPT	3/8 BSP	M20	M12	50	70	31,0
90	SONL 318	22318	KM18	MB18	2 FRB 5/190	61000	69500	4800	155,0	400	317	95	165	28	45	50	280	246	240	74	190	144	22	150	50	88	104	M90x2	22	3/4 NPT	1/2 NPT	1/2 NPT	M24	M12	55	80	36,0
100	SONL 320	22320	KM20	MB20	2 FRB 8/215	81500	95000	3000	170,0	420	347	90	170	28	45	55	315	245	270	89	215	178	25	179	55	98	115	M100x2	27	3/4 NPT	1/2 NPT	1/2 NPT	M24	M16	57	85	38,8
110	SONL 322	22322	KM22	MB22	2 FRB 8/240	95000	112000	2800	190,0	500	415	100	190	35	45	65	355	265	290	96	240	200	26	187	65	108	130	M110x2	28	3/4 NPT	1/2 NPT	3/4 NPT	M30	M20	67	95	51,0
120	SONL 324	22324	KM24	MB24	2 FRB 8/260	96500	112000	2600	200,0	540	450	115	190	35	50	65	375	265	306	102	260	220	26	187	65	118	140	M120x2	28	3/4 NPT	1/2 NPT	3/4 NPT	M30	M20	65	100	65,5
130	SONL 326	22326	KM26	MB26	2 FRB 8/280	112000	132000	2400	215,0	560	470	120	205	35	50	65	406	285	320	109	280	252	26	196	65	128	150	M130x2	30	3/4 NPT	1/2 NPT	3/4 NPT	M30	M20	70	105	80,6
140	SONL 328	22328	KM28	MB28	2 FRB 8/300	129000	156000	2200	230,0	630	510	120	220	35	60	80	425	300	340	118	300	268	41	215	85	138	165	M140x2	30	3/4 NPT	1/2 NPT	3/4 NPT	M30	M24	70	115	97,0
150	SONL 330	22330	KM30	MB30	2 FRB 10/320	146000	176000	2000	245,0	650	545	150	240	35	65	75	455	320	350	128	320	278	41	220	85	148	175	M150x2	33	3/4 NPT	1/2 NPT	3/4 NPT	M30	M24	75	120	107,0
160	SONL 332	22332	KM32	MB32	2 FRB 10/340	160000	196000	1900	260,0	720	590	150	250	42	70	85	480	335	370	134	340	298	41	225	85	158	190	M160x2	36	3/4 NPT	1/2 NPT	3/4 NPT	M36	M24	80	125	128,0
170	SONL 334	22334	KM34	MB34	2 FRB 12/360	176000	216000	1800	275,0	730	600	160	260	42	70	85	510	350	378	144	360	320	41	229	85	168	197	M170x2	37	3/4 NPT	1/2 NPT	3/4 NPT	M36	M24	85	130	180,0
180	SONL 336	22336	KM36	MB36	2 FRB 12/380	200000	245000	1700	305,0	820	670	180	280	42	80	95	565	370	404	150	380	360	41	239	105	178	210	M180x3	38	3/4 NPT	1/2 NPT	3/4 NPT	M36	M24	90	155	202,0