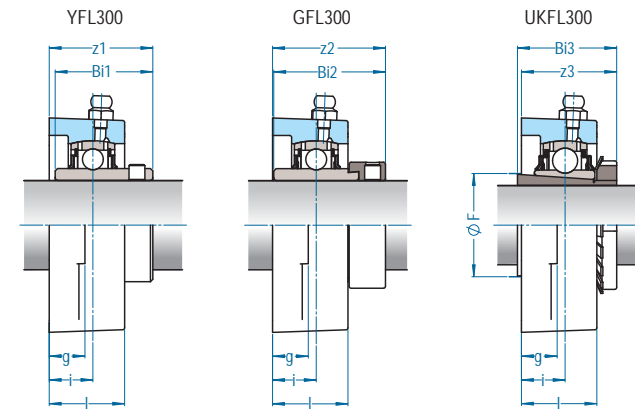
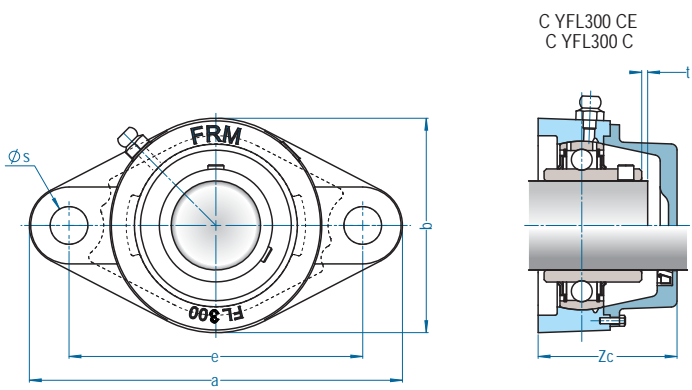




# FL 300

mancal tipo FLANGE  
serviço PESADO



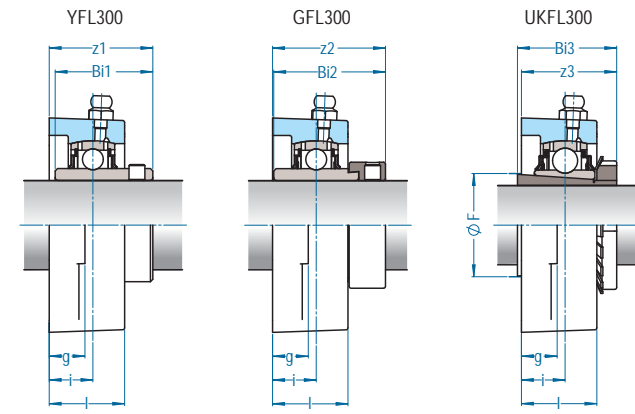
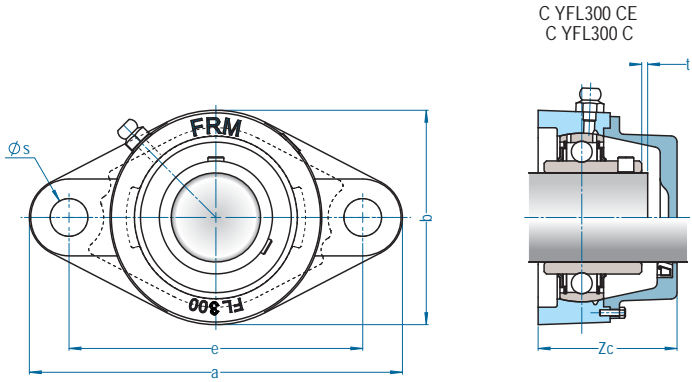
Caixa	Eixo		Dimensão nominal (mm)										Paraf.
	$\varnothing$ pol	$\varnothing$ mm	a	e	i	g	l	s	b	t	F (min.)	Zc	
FL 305	1	25	150	113,0	16,0	13	29	19,0	80	2	30	53	M16 5/8
FL 306	1-3/16	30	180	134,0	18,0	15	32	23,0	90	2	36	60	M20 3/4
FL 307	1-1/4 1-7/16	35	185	141,0	20,0	16	36	23,0	100	3	40	68	M20 3/4
FL 308	1-1/2	40	200	158,0	23,0	17	40	23,0	112	3	46	76	M20 3/4
FL 309	1-11/16 1-3/4	45	230	177,0	25,0	18	44	25,0	125	3	52	80	M22 7/8
FL 310	1-7/8 1-15/16	50	240	187,0	28,0	19	48	25,0	140	3	57	88	M22 7/8
FL 311	2 2-3/16	55	250	198,0	30,0	20	52	25,0	150	4	64	92	M22 7/8
FL 312	2-1/4 2-5/16 2-7/16	60 65	270	212,0	33,0	22	56	31,0	160	4	69	103	M27 1
FL 313	2-1/2	65	295	240,0	33,0	25	58	31,0	175	4	74	110	M27 1

Peso (Kg)				D	Rolamentos							
YFL3	CYFL3 C(E)	GFL3	UKFL3		Y 300		G 300		UK 300			
				z1	Bi1	z2	Bi2	$\varnothing$ Eixo	Bucha	z3	Bi3	
0,90	1,20	1,00	1,00	62,0	39	38,0	46,1	46,8	3/4 20	HE2305 H2305	37,5	35,0
1,40	1,80	1,50	1,30	72,0	44	43,0	50,5	50,0	7/8 15/16 25 1	HS2306 HA2306 H2306 HE2306	41,0	38,0
1,90	2,40	1,90	1,80	80,0	49	48,0	53,3	51,6	1-1/8 30 1-3/16	HS2307 H2307 HA2307	45,5	43,0
2,30	2,90	2,40	2,10	90,0	56	52,0	60,3	57,1	1-1/4 1-5/16 1-3/8 35	HE2308 HA2308 HS2308 H2308	50,5	46,0
3,50	4,10	3,70	3,40	100,0	60	57,0	63,9	58,7	1-7/16 1-1/2 40 1-5/8	HA2309 HE2309 H2309 HS2309	55,0	50,0
4,40	5,30	4,60	4,10	110,0	67	61,0	70,0	66,6	1-11/16 1-3/4 45	HA2310 HE2310 H2310	60,0	55,0
4,90	6,40	5,30	4,80	120,0	71	66,0	75,2	73,0	1-7/8 1-15/16 50 2	HS2311 HA2311 H2311 HS2311	63,5	59,0
6,10	8,50	6,40	5,50	130,0	78	71,0	81,5	79,4	2-1/8 55	HS2312 H2312	69,5	62,0
7,30	9,80	-	6,70	140,0	78	75,0	-	-	2-3/16 2-1/4 60 2-3/8	HA2313 HE2313 H2313 HS2313	71,5	65,0



# FL 300

mancal tipo FLANGE  
serviço PESADO



Caixa	Eixo		Dimensão nominal (mm)										Paraf.
	Ø pol	Ø mm	a	e	i	g	l	s	b	t	F (min.)	Zc	
FL 314	2-11/16	70	315	250,0	36,0	28	61	35,0	185	4		115	M30 1-1/8
FL 315	2-15/16 3	75	320	260,0	39,0	30	66	35,0	195	4	84	119	M30 1-1/8
FL 316	3-3/16	80	355	285,0	38,0	31	68	38,0	210	4	90	125	M33 1-1/4
FL 317	-	85	370	300,0	44,0	32	74	38,0	220	5	95	123	M33 1-1/4
FL 318	3-7/16	90	227	315,0	44,0	36	76	38,0	235	5	102	129	M33 1-1/4
FL 319	-	95 100	405	330,0	59,0	40	94	41,0	250	5	106	149	M36 1-3/8
FL 320	3-15/16 4	100	440	360,0	59,0	40	94	44,0	270	5	112	154	M39 1-1/2
FL 322	-	110	470	390,0	60,0	42	96	44,0	300	5	122	160	M39 1-1/2
FL 324	-	120	520	430,0	65,0	48	110	47,0	330	5	133	172	M42 1-5/8
FL 326	-	130	550	460,0	65,0	50	115	47,0	360	6	144	178	M42 1-5/8
FL 328	-	140	600	500,0	75,0	60	125	51,0	400	6	155	192	M45 1-3/4

Peso (Kg)				D	Rolamentos							
YFL3	CYFL3 C(E)	GFL3	UKFL3		Y 300		G 300		UK 300			
				z1	Bi1	z2	Bi2	Ø Eixo	Bucha	z3	Bi3	
9,10	12,10	9,60	-	150,0	83	78,0	94,0	92,1	-	-	-	-
10,20	13,90	11,30	9,70	160,0	89	82,0	101,7	100,0	2-1/2 65	HE2315 H2315	81,5	73,0
12,30	17,60	13,40	11,30	170,0	90	86,0	103,9	106,4	2-3/4 70	HE2316 H2316	82,5	78,0
15,00	19,50	-	13,50	180,0	100	96,0	-	-	75 3	H2317 HE2317	92,0	82,0
18,00	23,30	19,90	16,30	190,0	100	96,0	116,3	115,9	80	H2318	92,0	86,0
22,50	26,20	-	22,30	200,0	121	103,0	-	122,3	3-1/4 85	HE2319 H2319	111,0	90,0
26,10	34,00	28,00	25,80	215,0	125	108,0	137,6	128,6	3-1/2 90	HE2320 H2320	113,0	97,0
33,10	40,60	-	33,20	240,0	131	117,0	-	-	100 4	H2322 HE2322	121,0	105,0
44,90	54,80	-	44,40	260,0	140	126,0	-	-	110	H2324	130,0	112,0
58,00	64,00	-	58,30	280,0	146	135,0	-	-	115	H2326	133,0	121,0
81,00	97,50	-	81,40	300,0	161	145,0	-	-	125	H2328	146,5	131,0