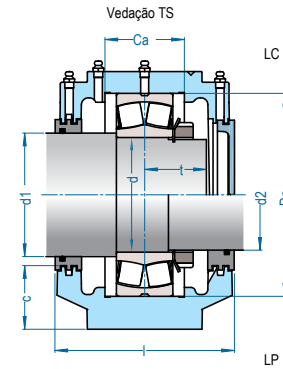
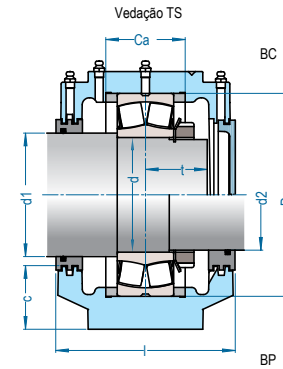
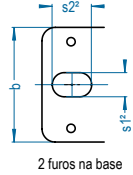
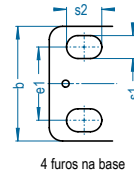
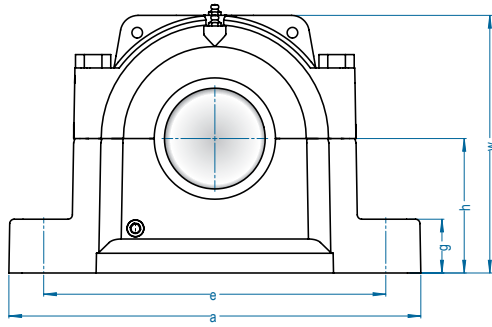


SAF 200



Eixo Ød mm	Mancal		Montagem				Cargas (kgf)		Limite Rotação RPM	Dimensão nominal (mm)														Parafuso		C (nível de óleo)	Peso (kg)								
	4 furos na base	2 furos na base	Rolamento	Porca	Arruela	Anel de Bloqueio	dinâmica C _r	estática C _{or}		h	a	e	e1	b	s1	s2	s1 ²	s2 ²	g	w	l	Ca	Da	t	d1 pol.			d2 pol.	SAF	FSAF					
80	FSAF 216	SAF 216	1216	KM16	MB16	2 FRB 16/140	3970	1700	6000																										
			2216	KM16	MB16	2 FRB 12.5/140	6500	2550	6000	88,9	330	262	54	89	19	34	24	37	32	177	137	58	140	36	3-5/8	3	M20	M16	32	13,5					
			22216	KM16	MB16	2 FRB 12.5/140	23600	27000	6000																										
85	FSAF 217	SAF 217	1217	KM17	MB17	2 FRB 16.5/150	4880	2080	5600																										
			2217	KM17	MB17	2 FRB 12.5/150	5850	2360	5600	95,2	330	265	54	89	19	30	24	34	32	188	137	61	150	39	3-15/16	3-3/16	M20	M16	35	14,0					
			22217	KM17	MB17	2 FRB 12.5/150	28500	32500	5600																										
90	FSAF 218	SAF 218	1218	KM18	MB18	2 FRB 17.5/160	5720	2360	5300																										
			2218	KM18	MB18	2 FRB 12.5/160	7020	2850	5300	101,6	350	280	54	99	19	35	24	39	34	199	159	65	160	43	4-1/8	3-3/8	M20	M16	40	17,0					
			22218	KM18	MB18	2 FRB 12.5/160	32500	37500	5300																										
100	FSAF 220	SAF 220	1220	KM20	MB20	2 FRB 18/180	6890	3000	4800																										
			2220	KM20	MB20	2 FRB 12/180	9750	4050	4800	114,3	388	314	60	111	24	39	26	41	45	222	155	70	180	47	4-1/2	3-13/16	M22	M20	44	23,0					
			22220	KM20	MB20	2 FRB 12/180	42500	49000	4500																										
110	SAF 222	-	1222	KM22	MB22	2 FRB 12.5/200	8840	3900	4300																										
			2222	KM22	MB22	1 FRB 10/200	12400	5200	4300	125,4	420	344	70	121	24	44	-	-	51	245	165	63	200	52	4-7/8	4-3/16	M20	-	45	26,0					
			22222	KM22	MB22	1 FRB 10/200	56000	64000	4000																										
120	SAF 224	-	1224	KM24	MB24	2 FRB 20.5/215	11900	5300	4000																										
			22224	KM24	MB24	2 FRB 12.5/215	63000	76500	3800	133,3	420	352	70	121	24	40	-	-	54	260	188	83	215	56	5-5/16	4-9/16	M20	-	47	34,6					
130	SAF 226	-	22226	KM26	MB26	2 FRB 13/230	73500	93000	3600	152,4	467	388	83	130	26	40	-	-	61	292	203	90	230	60	5-7/8	4-15/16	M22	-	60	52,0					
140	SAF 228	-	22228	KM28	MB28	1 FRB 10/250	71000	90000	3200	152,4	512	419	86	150	28	46	-	-	60	299	194	78	250	64	6-1/4	5-5/16	M24	-	52	60,0					
150	SAF 230	-	22230	KM30	MB30	2 FRB 11.5/270	85000	108000	3000	160,3	540	448	95	159	28	40	-	-	64	318	213	96	270	68	6-5/8	5-3/4	M24	-	52	73,0					
160	SAF 232	-	22232	KM32	MB32	2 FRB 11.5/290	100000	129000	2800	169,9	559	465	95	159	28	48	-	-	67	338	222	103	290	73	7	6-1/16	M24	-	52	70,0					
170	SAF 234	-	22234	KM34	MB34	2 FRB 13/310	112000	146000	2600	179,4	629	521	108	172	28	53	-	-	70	360	245	112	310	77	7-7/16	6-7/16	M24	-	55	86,0					
180	SAF 236	-	22236	KM36	MB36	2 FRB 16/320	118000	156000	2600	190,5	680	565	118	181	28	60	-	-	77	378	254	118	320	78	7-13/16	6-7/8	M24	-	67	103,0					
190	SAF 238	-	22238	KM38	MB38	2 FRB 16/340	127000	170000	2400	200,0	712	584	114	191	36	65	-	-	80	399	273	124	340	81	8-3/8	7-1/4	M30	-	68	133,0					
200	SAF 240	-	22240	KM40	MB40	2 FRB 16/360	146000	193000	2200	209,5	750	603	127	203	36	62	-	-	86	420	286	130	360	86	8-3/4	7-5/8	M30	-	70	182,0					
220	SAF 244	-	22244	KM44	MB44	2 FRB 17/400	176000	236000	2000	241,3	832	668	133	222	42	76	-	-	96	473	305	142	400	93	9-9/16	8-5/16	M36	-	85	213,0					

As diferentes larguras de pista dos rolamentos são compensadas nos mancais bloqueados por anéis FRB específicos.