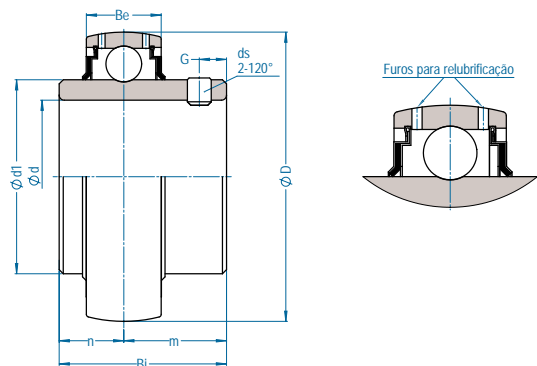


Y 300

rolamento ESFÉRICO
fixação por PARAFUSOS
serviço PESADO



Rolamento	Eixo		Dimensão nominal (mm)							ds (mm) (UNF)	Cargas (kgf)		Peso (kg)
	Ø pol	Ø mm	D	d1	Bi	n	m	Be	G		dinâmica C _r	estática C _{or}	
Y 305 V22 Y 305-16 V22	1	25	62,0	35,5	38,0	15,0	23,0	21,0	6,0	M6x1 1/4-28	2280	1170	0,35
Y 306 V22 Y 306-19 V22	1-3/16	30	72,0	44,5	43,0	17,0	26,0	24,0	6,0	M6x1 1/4-28	2760	1550	0,55
Y 307-20 V22 Y 307 V22 Y 307-23 V22	1-1/4 1-7/16	35	80,0	49,0	48,0	19,0	29,0	25,0	8,0	M8x1 5/16-24	3420	1960	0,80
Y 308-24 V22 Y 308 V22	1-1/2	40	90,0	56,5	52,0	19,0	33,0	28,0	10,0	M10x1,25 3/8-24	4140	2450	1,00
Y 309-27 V22 Y 309-28 V22 Y 309 V22	1-11/16 1-3/4	45	100,0	62,0	57,0	22,0	35,0	30,0	10,0	M10x1,25 3/8-24	5410	3250	1,30
Y 310-30 V22 Y 310-31 V22 Y 310 V22	1-7/8 1-15/16	50	110,0	69,0	61,0	22,0	39,0	32,0	12,0	M12x1,25 7/16-20	6300	3860	1,70
Y 311-32 V22 Y 311 V22 Y 311-35 V22	2 2-3/16	55	120,0	75,0	66,0	25,0	41,0	34,0	12,0	M12x1,25 7/16-20	7300	4570	1,95
Y 312-36 V22 Y 312 V22 Y 312-39 V22	2-1/4 2-7/16	60	130,0	81,0	71,0	26,0	45,0	36,0	12,0	M12x1,25 7/16-20	8330	5290	2,60
Y 313-40 V22 Y 313 V22	2-1/2	65	140,0	87,5	75,0	30,0	45,0	38,0	12,0	M12x1,25 7/16-20	9580	6170	3,25
Y 314 V22		70	150,0	94,0	78,0	31,0	47,0	40,0	12,0	M12x1,25	10640	6940	3,95
Y 315-47 V22 Y 315 V22 Y 315-48 V22	2-15/16 3	75	160,0	100,5	82,0	32,0	50,0	42,0	14,0	M14x1,5 1/2-20	11570	7840	4,55
Y 316 V22		80	170,0	108,0	86,0	34,0	52,0	44,0	14,0	M14x1,5	12540	8830	5,55
Y 317 V22		85	180,0	114,0	96,0	40,0	56,0	46,0	16,0	M16x1,5	13530	9850	6,95

Rolamento	Eixo		Dimensão nominal (mm)							ds (mm) (UNF)	Cargas (Kgf)		Peso (Kg)
	Ø pol	Ø mm	D	d1	Bi	n	m	Be	G		dinâmica C _r	estática C _{or}	
Y 318-55 V22 Y 318-56 V22 Y 318 V22	3-7/16 3-1/2	90	190,0	120,0	96,0	40,0	56,0	48,0	16,0	M16x1,5 5/8-18	14590	11020	7,95
Y 319 V22 Y 319-100 V22		95 100	200,0	126,5	103,0	41,0	62,0	50,0	18,0	M16x1,5	15920	12450	8,90
Y 320 V22 Y 320-63 V22 Y 320-64 V22		100	215,0	134,5	108,0	42,0	66,0	54,0	18,0	M18x1,5 5/8-18	17510	14290	11,10
UC 322 V22		110	240,0	147,7	117,0	46,0	71,0	60,0	18,0	M18x1,5	20900	18200	14,30
UC 324 V22 UC 324-79 V22		120	260,0	162,0	126,0	51,0	75,0	64,0	18,0	M18x1,5 3/4-16	21100	18800	18,50
UC 326 V22		130	280,0	176,0	135,0	54,0	81,0	68,0	20,0	M20x1,5	23300	21800	23,00
UC 328 V22		140	300,0	189,0	145,0	59,0	86,0	72,0	20,0	M20x1,5	23300	21800	28,50